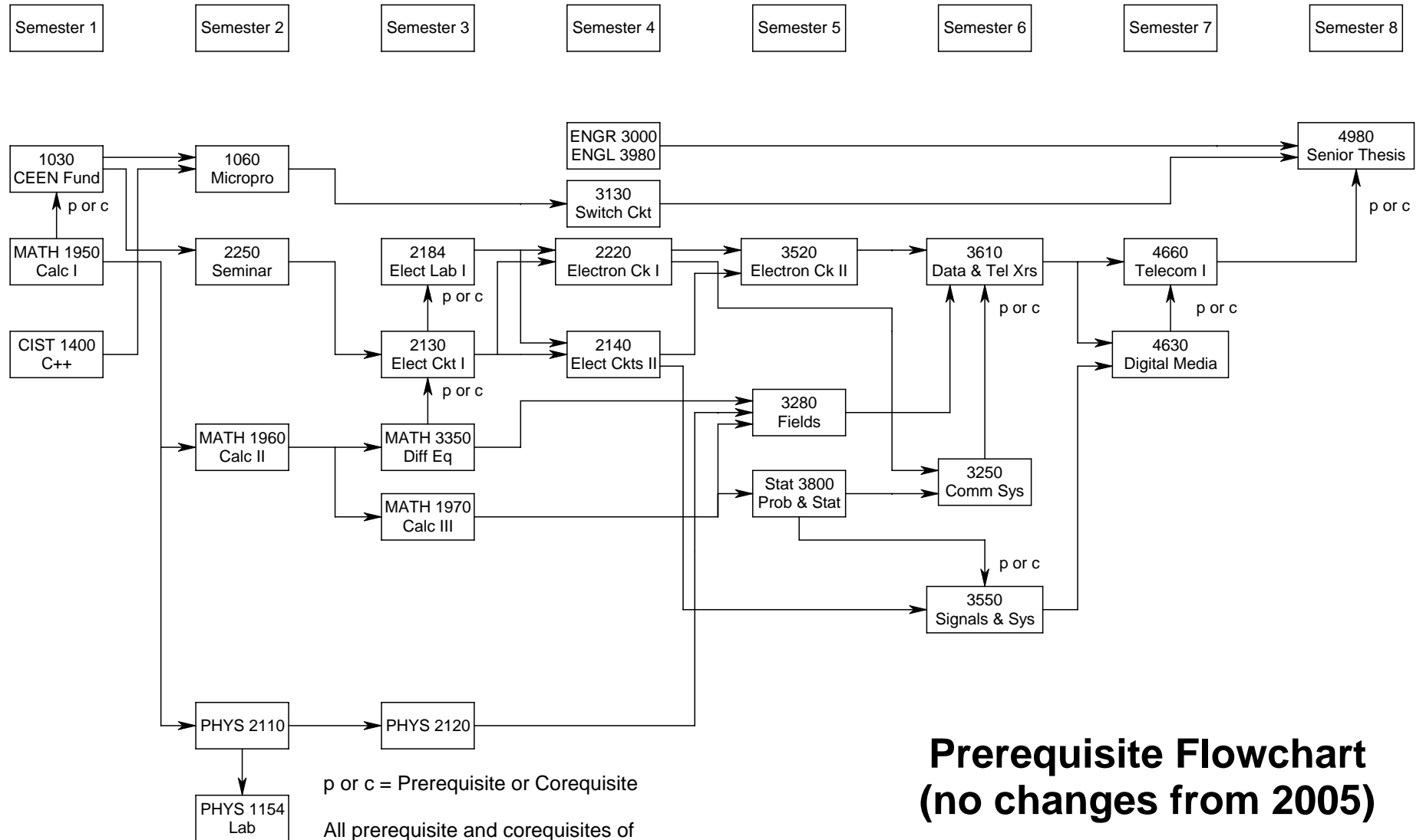


Effective for Students Entering Fall 2006

Electronics Engineering



p or c = Prerequisite or Corequisite

All prerequisite and corequisites of prerequisite courses must be successfully completed with a grade of C or better before a student will be allowed to progress to following courses.

**Prerequisite Flowchart
(no changes from 2005)**